



Vacuum generation | Oil-lubricated vacuum pumps

Rotary vane vacuum pumps – oil-lubricated

Rotary vane vacuum pumps – oil-lubricated



Product notes

- > High final pressure
- > Drives with multi-range voltages
- > Especially suited for the evacuation of small closed containers
- > Efficient damping and oil recovery system prevents oil mist and reduces sound level
- > Compact and lightweight design for low space requirements or installation on moving devices (sufficient ventilation needs to be ensured)
- > Pump is cooled via fan
- > Horizontal mounting position
- > Protection class IP55
- > Available in single-phase and three-phase designs (Index -1 to -3)
- > Included in scope of delivery: Condensate exhaust filter oil SW 40, thermal protection 130 °C (266 °F) (with single-phase motor)

Notes

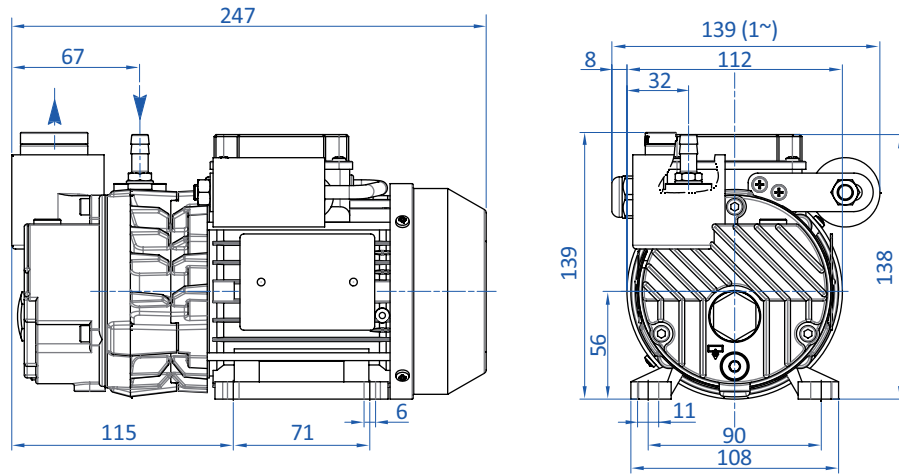
- > Continuous operation only under full load, otherwise, risk of oil discharge, no gas ballast
- > For operation under moist conditions please consult FIPA

Technical data

Item no.	DO.4C-1	DO.4C-3
Suction power at 50 Hz [m ³ /h]	4	4
Suction power at 60 Hz [m ³ /h]	4.8	4.8
Final pressure abs. [mbar (psi)]	2 (0)	2 (0)
Power supply +/- 5 % at 50 Hz [V]	220 - 240	Delta: 175-260 Star: 300-450
Power supply +/- 5 % at 60 Hz [V]	220 - 240	Delta: 200-300 Star: 346-520
Current consumption at 50 Hz [A]	1.2	Delta: 0.83 Star: 0.97
Current consumption at 60 Hz [A]	1.2	Delta: 0.82 Star: 0.92
Rated power at 50 (60) Hz [kW]	0.12 (0.15)	0.12 (0.15)
Noise level at 50 Hz [dB(A)]	48	48
Noise level at 60 Hz [dB(A)]	52	52
Operating temperature at 50 Hz [°C (°F)]	50 - 55 (122 - 131)	50 - 55 (122 - 131)
Operating temperature at 60 Hz [°C (°F)]	55 - 60 (131 - 140)	55 - 60 (131 - 140)
Weight [kg]	5.4	5.4
Suitable accessories	Spare part kit: KIT-DO.4C/K*** Spare part kit: KIT-DO.4C/G** Pre-filter: FB 5	Spare part kit: KIT-DO.4C/K*** Spare part kit: KIT-DO.4C/G** Pre-filter: FB 5



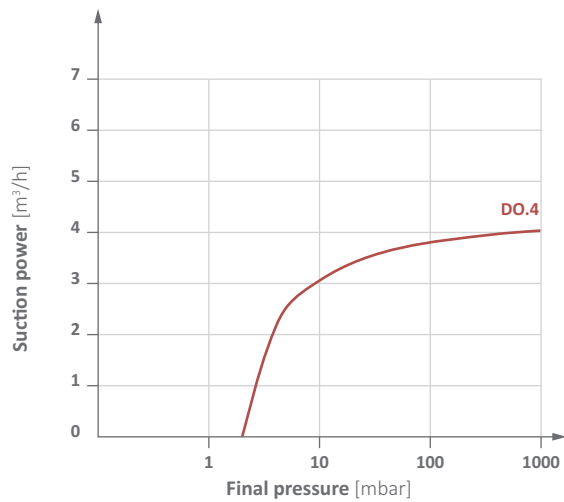
Dimensions



** = 6 x vanes, FKM O-Rings, seal, oil recirculation valve, oil mist separator, filter cartridge, 1 x O-ring FKM
 *** = Oil mist separator, rubber washer, follower, 1 x filter cartridge, 1 x O-ring FKM

Diagrams

> Suction power against vacuum level at 50 Hz



> Suction power against vacuum level at 60 Hz

