



Vacuum generation | Oil-lubricated vacuum pumps

Rotary vane vacuum pumps – oil-lubricated

Rotary vane vacuum pumps – oil-lubricated



Product notes

- > Very high level of final vacuum
- > Suitable for moist environments
- > Effective damping and recovery system prevents oil mist and reduces sound level
- > Innovative sealing system prevents oil recirculation at standstill under vacuum
- > Horizontal mounting position
- > Protection class IP55
- > Available in single-phase and three-phase designs (Index -1 or -3)
- > Included in scope of delivery: Gas ballast, oil non-return valve, oil SW 40 (with DO.20), oil SW 60 (with DO.25)

Notes

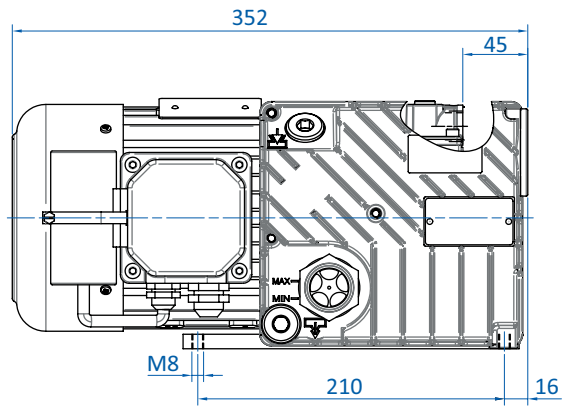
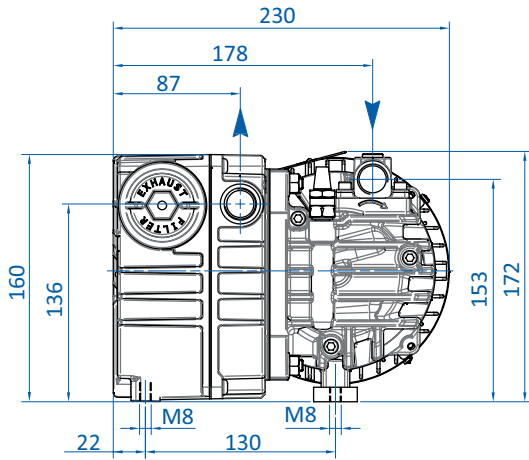
- > DO.20: Designed for continuous operation for vacuum level between 60 % and 99.8 %, gas ballast available, can tolerate water vapor
- > DO.25: Designed for continuous operation for vacuum level between 60 % and 99.9 %, gas ballast available, can tolerate water vapor

Technical data

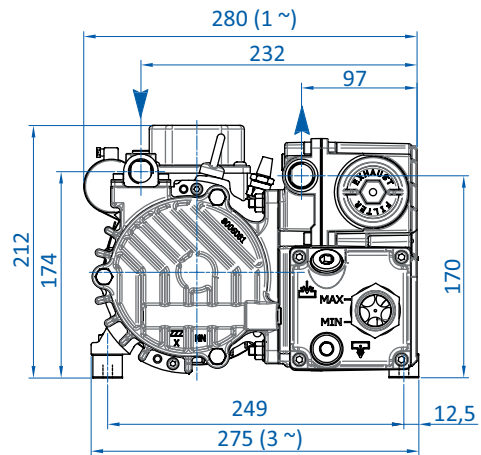
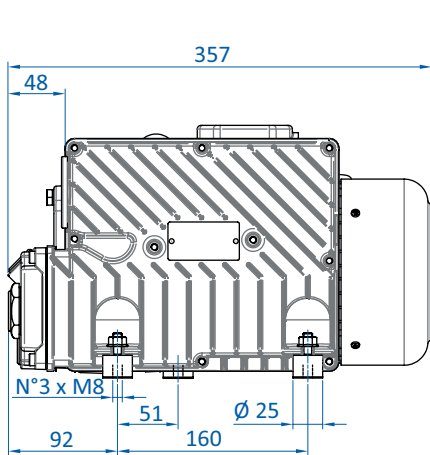
Item no.	DO.20C-1	DO.20C-3	DO.25C-1	DO.25C-3
Suction power at 50 Hz [m ³ /h]	20	20	25	25
Suction power at 60 Hz [m ³ /h]	24	24	29	29
Final pressure abs. [mbar (psi)]	2 (0)	2 (0)	0.5 (0)	0.5 (0)
Gas ballast	Yes	Yes	Yes	Yes
Max. inlet pressure for water vapour [mbar (psi)]	15 (0.2)	15 (0.2)	40 (0.6)	40 (0.6)
Water vapor capacity [l/h]	0.25	0.25	0.7	0.7
Check valve	Yes	Yes	Yes	Yes
Power supply at 50 (60) Hz [V]	220 - 240	Delta: 175-260 (200-300) Star: 300-450 (346-520)	220 - 240	Delta: 175-260 (200-300) Star: 300-450 (346-520)
Current consumption at 50 (60) Hz [A]	4.1 (5.7)	Delta: 3.4 (4.1) Star: 2 (2.4)	5.5 (5.5)	Delta: 3.8 (4) Star: 2.2 (2.3)
Rated power at 50 (60) Hz [kW]	0.75 (0.9)	0.75 (0.9)	0.75 (0.9)	0.75 (0.9)
Noise level at 50 (60) Hz [dB(A)]	64 (67)	64 (67)	57 (59)	57 (59)
Operating temperature [°C (°F)]	60 - 70 (140 - 158)	60 - 70 (140 - 158)	80 - 90 (176 - 194)	80 - 90 (176 - 194)
Weight [kg]	19	17	26	25
Suitable accessories	Spare part kit: KIT-DO.20C/G** Spare part kit: KIT-DO.20C/K* Pre-filter: FB 20	Spare part kit: KIT-DO.20C/G** Spare part kit: KIT-DO.20C/K* Pre-filter: FB 20	Spare part kit: KIT-DO.25C/G**** Spare part kit: KIT-DO.25C/K*** Pre-filter: FB 25	Spare part kit: KIT-DO.25C/G**** Spare part kit: KIT-DO.25C/K*** Pre-filter: FB 25



Dimensions



DO.20C-1 | DO.20C-3

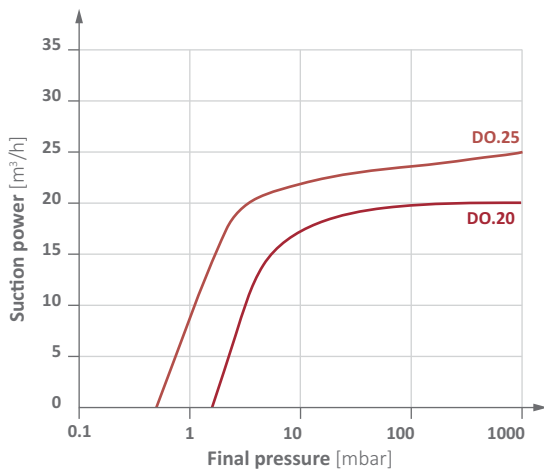


DO.25C-1 | DO.25C-3

* = FKM O-rings, oil mist separator ** = 3 x vanes, FKM O-rings, valve, filter, copper washer G1/8" *** = FKM and NBR O-rings, outlet filter
 **** = 2x FKM shaft seals, FKM O-rings, filter, valve, 3 vanes

Diagrams

> Suction power against vacuum level at 50 Hz



> Suction power against vacuum level at 60 Hz

