



Vacuum generation | Oil-lubricated vacuum pumps

Rotary vane vacuum pumps – oil-lubricated

Rotary vane vacuum pumps – oil-lubricated



Product notes

- > High level of final vacuum
- > Suitable for moist environments
- > Effective damping and recovery system with by-pass and novel float valve guarantees oil-free exhaust air
- > Innovative sealing system prevents oil recirculation at standstill under vacuum
- > Horizontal mounting position
- > Protection class IP55
- > Available in single-phase and three-phase designs (Index -1 or -3)
- > Included in scope of delivery: Condensate exhaust filter, gas ballast, oil SW 60, oil non-return valve

Notes

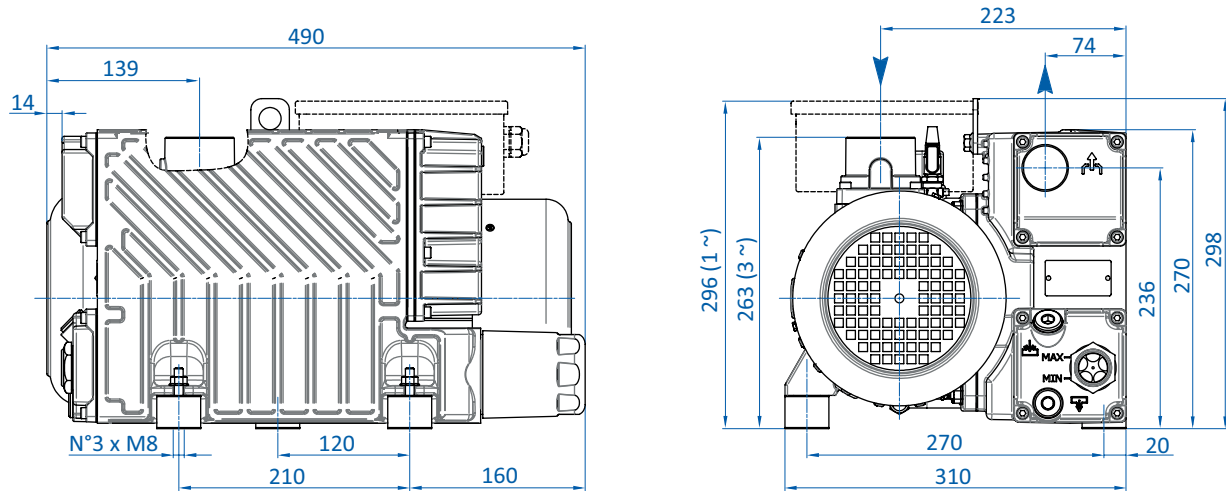
- > Designed for continuous operation for vacuum level between 60 % to 99,9 %, gas ballast available, can tolerate water vapor

Technical data

Item no.	DO.40C-1	DO.40C-3	DO.60C-1	DO.60C-3
Suction power at 50 Hz [m ³ /h]	40	40	60	60
Suction power at 60 Hz [m ³ /h]	48	48	72	72
Final pressure abs. [mbar (psi)]	0.1 (0)	0.1 (0)	0.1 (0)	0.1 (0)
Gas ballast	Yes	Yes	Yes	Yes
Max. inlet pressure for water vapour [mbar (psi)]	14 (0.2)	14 (0.2)	14 (0.2)	14 (0.2)
Water vapor capacity [kg/h]	0.5	0.5	0.7	0.7
Check valve	Yes	Yes	Yes	Yes
Power supply at 50 (60) Hz [V]	220 - 240	Delta: 175-260 (200-300) Star: 300-450 (346-520)	220 - 240	Delta: 175-260 (200-300) Star: 300-450 (346-520)
Current consumption at 50 (60) Hz [A]	9 (8)	Delta: 5.4 (5.5) Star: 3.1 (3.2)	9.8 (9)	Delta: 7.8 (7.8) Star: 4.5 (4.5)
Rated power at 50 (60) Hz [kW]	1.1 (1.35)	1.1 (1.35)	1.5 (1.8)	1.5 (1.8)
Noise level at 50 (60) Hz [dB(A)]	64 (66)	64 (66)	66 (68)	66 (68)
Operating temperature [°C (°F)]	65 - 70 (149 - 158)	65 - 75 (149 - 167)	70 - 80 (158 - 176)	70 - 80 (158 - 176)
Weight [kg]	46.5	42	46	44
Suitable accessories	Spare part kit: KIT-DO.40C/G** Spare part kit: KIT-DO.40C/K* Pre-filter: FB 30	Spare part kit: KIT-DO.40C/G** Spare part kit: KIT-DO.40C/K* Pre-filter: FB 30	Spare part kit: KIT-DO.60C/G** Spare part kit: KIT-DO.60C/K* Pre-filter: FB 30	Spare part kit: KIT-DO.60C/G** Spare part kit: KIT-DO.60C/K* Pre-filter: FB 30



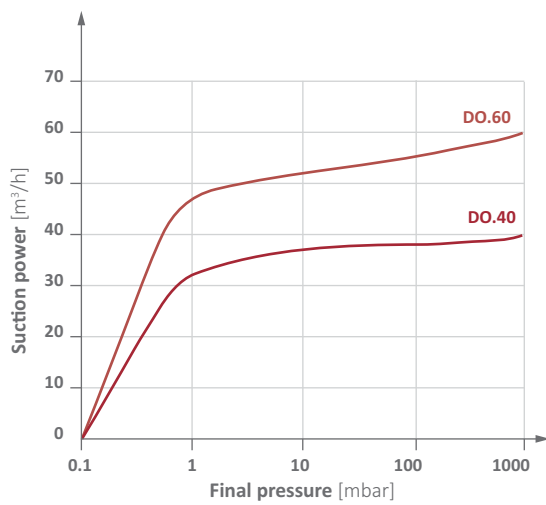
Dimensions



* = Seal, Oil mist separator, Oil filter ** = 2 x FKM shaft seals, FKM O-rings, seals, filter, 3 x vanes

Diagrams

> Suction power against vacuum level at 50 Hz



> Suction power against vacuum level at 60 Hz

