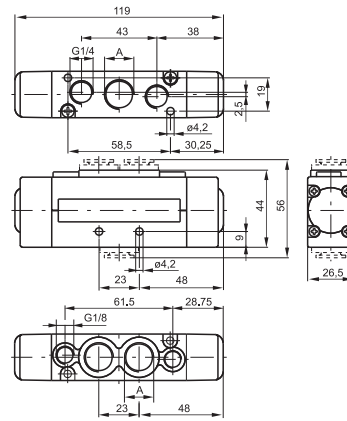
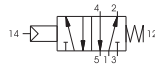


Pneumatic - Spring

| |
|----------------------------|
| Ordering code |
| 261 A.52.00.19 |
| CONNECTIONS |
| A 1 = G3/8" |
| 5 = G1/4" |
| 8 = quick fitting tube Ø10 |



Weight gr. 235
Minimum piloting pressure 2 bar

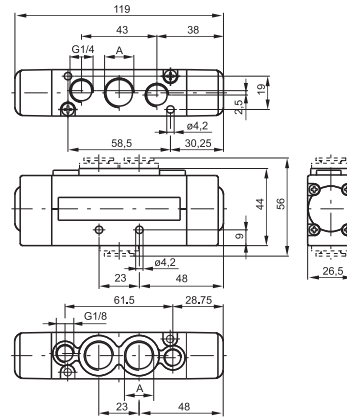


For dimension "A" see ordering code

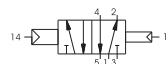
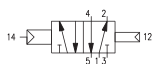
| Operational characteristic | Fluid | Max working pressure (bar) | Temperature °C | Flow rate at 6 bar with Δp=1 (NI/min) | Orifice size (mm) | Working ports size | Pilot ports size |
|----------------------------|------------------------------------|----------------------------|----------------|---------------------------------------|-------------------|------------------------|------------------|
| | Filtered and lubricated air or not | 10 bar | -5 - +50 | 1500 NI/min | mm 9 | G1/4" - G3/8" tube Ø10 | G1/8" |

Pneumatic - Differential / Differential external

| |
|-----------------------------|
| Ordering code |
| 261 A.52.00.V |
| CONNECTIONS |
| A 1 = G3/8" |
| 5 = G1/4" |
| 8 = quick fitting tube Ø10 |
| VERSION |
| V 16 = Pneum. - Diff./al |
| 17 = Pneum. - Diff./al ext. |



Weight gr. 235
Minimum piloting pressure 2 bar

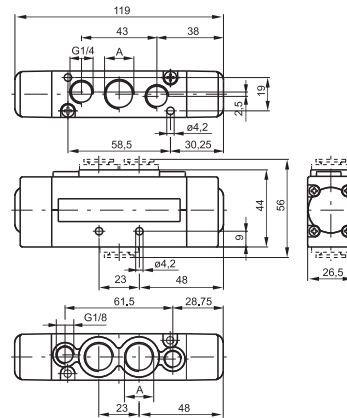


For dimension "A" see ordering code

| Operational characteristic | Fluid | Max working pressure (bar) | Temperature °C | Flow rate at 6 bar with Δp=1 (NI/min) | Orifice size (mm) | Working ports size | Pilot ports size |
|----------------------------|------------------------------------|----------------------------|----------------|---------------------------------------|-------------------|------------------------|------------------|
| | Filtered and lubricated air or not | 10 bar | -5 - +50 | 1500 NI/min | mm 9 | G1/4" - G3/8" tube Ø10 | G1/8" |

Pneumatic - Pneumatic

| |
|----------------------------|
| Ordering code |
| 261 A.52.00.18 |
| CONNECTIONS |
| A 1 = G3/8" |
| 5 = G1/4" |
| 8 = quick fitting tube Ø10 |



Weight gr. 235
Minimum piloting pressure 1,5 bar



For dimension "A" see ordering code

| Operational characteristic | Fluid | Max working pressure (bar) | Temperature °C | Flow rate at 6 bar with Δp=1 (NI/min) | Orifice size (mm) | Working ports size | Pilot ports size |
|----------------------------|------------------------------------|----------------------------|----------------|---------------------------------------|-------------------|------------------------|------------------|
| | Filtered and lubricated air or not | 10 bar | -5 - +50 | 1500 NI/min | mm 9 | G1/4" - G3/8" tube Ø10 | G1/8" |

Miniature solenoid - Spring / Differential

Ordering code

261A.52.00.V.T

CONNECTIONS

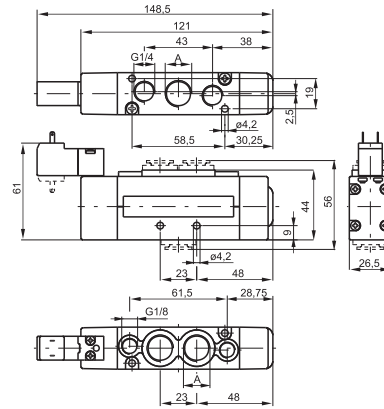
- A** 1=G3/8"
- 5=G1/4"
- 8=quick fitting tube Ø10

VERSION

- V** 39=Sv. - Spring
- 29=Sv. ext. - Spring
- 36=Sv. - Diff./al
- 37=Sv. ext. - Diff./al ext.
- 26=Sv. ext. - Diff./al
- 27=Sv. ext. - Diff./al ext.

COIL VOLTAGE

- T** 01=12V DC
- 02=24V DC
- 05=24V AC
- 06=110V AC
- 07=230V AC
- 08=24V DC 1 Watt
- 09=24V DC Earth Faston
- 11=12V DC Downward
- 12=24V DC Downward
- 15=24V AC Downward
- 16=110V AC Downward
- 17=230V AC Downward
- 18=24V DC 1 Watt Downward
- 19=24V DC Earth Faston Downward



Weight gr. 275
Minimum working pressure 2 bar - For dimension "A" see ordering code



Operational characteristic

| | | | | | |
|------------------------------------|----------------------------|----------------|---------------------------------------|-------------------|------------------------|
| Fluid | Max working pressure (bar) | Temperature °C | Flow rate at 6 bar with Δp=1 (NI/min) | Orifice size (mm) | Working ports size |
| Filtered and lubricated air or not | 10 bar | -5 - +50 | 1500 NI/min | mm 9 | G1/4" - G3/8" tube Ø10 |

Miniature solenoid - Miniature solenoid

Ordering code

261A.52.00.V.T

CONNECTIONS

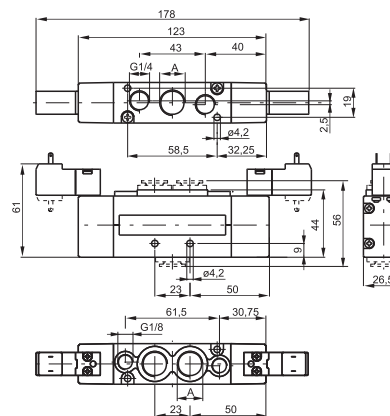
- A** 1=G3/8"
- 5=G1/4"
- 8=quick fitting tube Ø10

VERSION

- V** 35=Sv. - Sv.
- 24=Sv. ext. - Sv. ext.

COIL VOLTAGE

- T** 01=12V DC
- 02=24V DC
- 05=24V AC
- 06=110V AC
- 07=230V AC
- 08=24V DC 1 Watt
- 09=24V DC Earth Faston
- 11=12V DC Downward
- 12=24V DC Downward
- 15=24V AC Downward
- 16=110V AC Downward
- 17=230V AC Downward
- 18=24V DC 1 Watt Downward
- 19=24V DC Earth Faston Downward



Weight gr. 295
Minimum working pressure 1,5 bar - For dimension "A" see ordering code

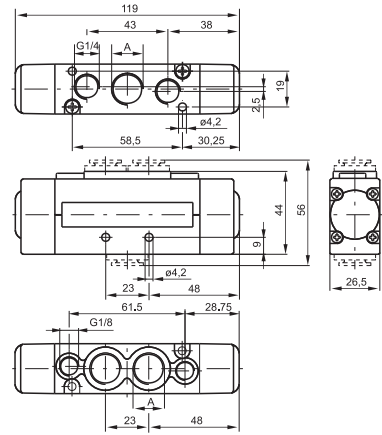


Operational characteristic

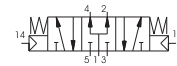
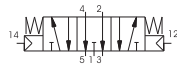
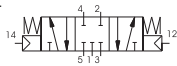
| | | | | | |
|------------------------------------|----------------------------|----------------|---------------------------------------|-------------------|------------------------|
| Fluid | Max working pressure (bar) | Temperature °C | Flow rate at 6 bar with Δp=1 (NI/min) | Orifice size (mm) | Working ports size |
| Filtered and lubricated air or not | 10 bar | -5 - +50 | 1500 NI/min | mm 9 | G1/4" - G3/8" tube Ø10 |

Pneumatic - Pneumatic

| | |
|---------------|--|
| Ordering code | 261A.53.F.18 |
| CONNECTIONS | A 1=G3/8" 5=G1/4" 8=quick fitting tube Ø10 |
| FUNCTION | F 31=Closed centres 32=Open centres 33=Pressured centres |



Weight gr. 245 - Minimum working pressure 3 bar

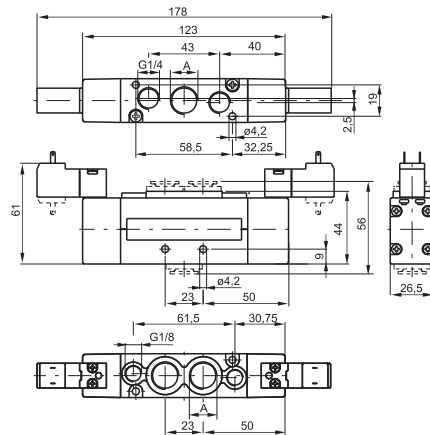


For dimension "A" see ordering code

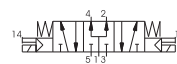
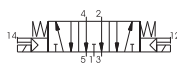
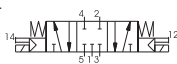
| Operational characteristic | Fluid | Max working pressure (bar) | Temperature °C | Flow rate at 6 bar with Δp=1 (NI/min) | Orifice size (mm) | Working ports size | Pilot ports size |
|----------------------------|------------------------------------|----------------------------|----------------|---------------------------------------|-------------------|--------------------|-----------------------------|
| | Filtered and lubricated air or not | | 10 bar | -5 - +50 | 1350 NI/min | mm 9 | G1/8"-G1/4" tube Ø6-tube Ø8 |

Miniature solenoid - Miniature solenoid

| | |
|---------------|---|
| Ordering code | 261A.53.F.V.T |
| CONNECTIONS | A 1=G3/8" 5=G1/4" 8=quick fitting tube Ø10 |
| FUNCTION | F 31=Closed centres 32=Open centres 33=Pressured centres |
| VERSION | V 24=Sv. ext. - Sv. ext. 35=Sv. - Sv. |
| COIL VOLTAGE | 01=12V DC 02=24V DC 05=24V AC 06=110V AC 07=230V AC 08=24V DC 1 Watt T 09=24V DC Earth Faston 11=12V DC Downward 12=24V DC Downward 15=24V AC Downward 16=110V AC Downward 17=230V AC Downward 18=24V DC 1 Watt Downward 19=24V DC Earth Faston Downward |



Weight gr. 245 - Minimum working pressure 3 bar

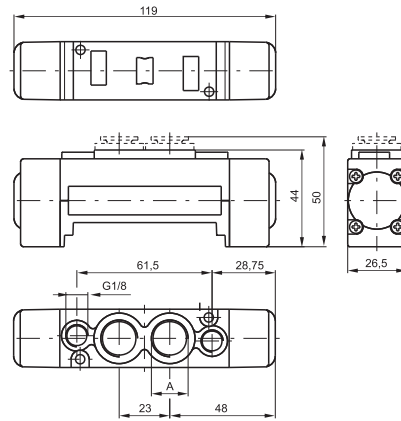


For dimension "A" see ordering code

| Operational characteristic | Fluid | Max working pressure (bar) | Temperature °C | Flow rate at 6 bar with Δp=1 (NI/min) | Orifice size (mm) | Working ports size |
|----------------------------|------------------------------------|----------------------------|----------------|---------------------------------------|-------------------|--------------------|
| | Filtered and lubricated air or not | | 10 bar | -5 - +50 | 1350 NI/min | mm 9 |

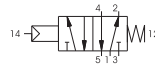
Pneumatic - Spring

| |
|--------------------------|
| Ordering code |
| 263(A).52.00.19 |
| CONNECTIONS |
| 1=G3/8" |
| 5=G1/4" |
| 8=quick fitting tube Ø10 |



For dimension "A" see ordering code

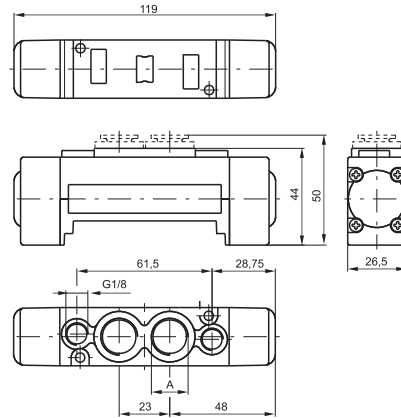
Weight gr. 185
Minimum piloting pressure 2 bar



| Operational characteristic | Fluid | Max working pressure (bar) | Temperature °C | Flow rate at 6 bar with Δp=1 (NI/min) | Orifice size (mm) | Working ports size | Pilot ports size |
|----------------------------|------------------------------------|----------------------------|----------------|---------------------------------------|-------------------|------------------------|------------------|
| | Filtered and lubricated air or not | 10 bar | -5 - +50 | 1500 NI/min | mm 9 | G1/4" - G3/8" tube Ø10 | M5 |

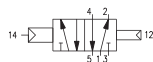
Pneumatic - Differential / Differential external

| |
|---------------------------|
| Ordering code |
| 263(A).52.00.V |
| CONNECTIONS |
| 1=G3/8" |
| 5=G1/4" |
| 8=quick fitting tube Ø10 |
| VERSION |
| 16=Pneum. - Diff./al |
| 17=Pneum. - Diff./al ext. |



For dimension "A" see ordering code

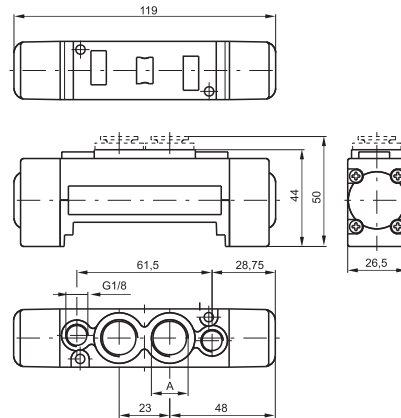
Weight gr. 185
Minimum piloting pressure 2 bar



| Operational characteristic | Fluid | Max working pressure (bar) | Temperature °C | Flow rate at 6 bar with Δp=1 (NI/min) | Orifice size (mm) | Working ports size | Pilot ports size |
|----------------------------|------------------------------------|----------------------------|----------------|---------------------------------------|-------------------|------------------------|------------------|
| | Filtered and lubricated air or not | 10 bar | -5 - +50 | 1500 NI/min | mm 9 | G1/4" - G3/8" tube Ø10 | M5 |

Pneumatic - Pneumatic

| |
|--------------------------|
| Ordering code |
| 263(A).52.00.18 |
| CONNECTIONS |
| 1=G3/8" |
| 5=G1/4" |
| 8=quick fitting tube Ø10 |



For dimension "A" see ordering code

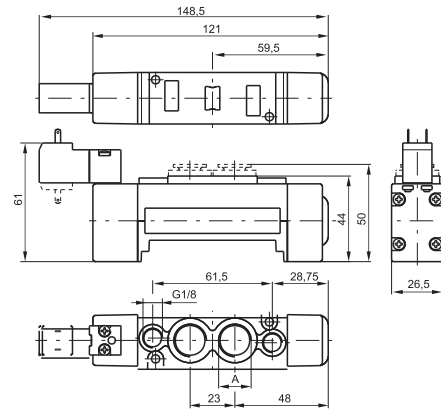
Weight gr. 185
Minimum piloting pressure 1,5 bar



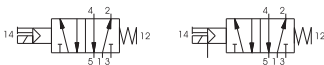
| Operational characteristic | Fluid | Max working pressure (bar) | Temperature °C | Flow rate at 6 bar with Δp=1 (NI/min) | Orifice size (mm) | Working ports size | Pilot ports size |
|----------------------------|------------------------------------|----------------------------|----------------|---------------------------------------|-------------------|------------------------|------------------|
| | Filtered and lubricated air or not | 10 bar | -5 - +50 | 1500 NI/min | mm 9 | G1/4" - G3/8" tube Ø10 | M5 |

Miniature solenoid - Spring / Differential

| | |
|-----------------------|---|
| Ordering code | |
| 263A.52.00.V.T | |
| CONNECTIONS | |
| A | 1 = G3/8" 5 = G1/4" 8 = quick fitting tube Ø10 |
| VERSION | |
| | 39 = Sv. - Spring 29 = Sv. ext. - Spring V 36 = Sv. - Diff./al 37 = Sv. ext. - Diff./al ext. 26 = Sv. ext. - Diff./al 27 = Sv. ext. - Diff./al ext. |
| COIL VOLTAGE | |
| | 01 = 12V DC 02 = 24V DC 05 = 24V AC 06 = 110V AC 07 = 230V AC 08 = 24V DC 1 Watt T 09 = 24V DC Earth Faston 11 = 12V DC Downward 12 = 24V DC Downward 15 = 24V AC Downward 16 = 110V AC Downward 17 = 230V AC Downward 18 = 24V DC 1 Watt Downward 19 = 24V DC Earth Faston Downward |



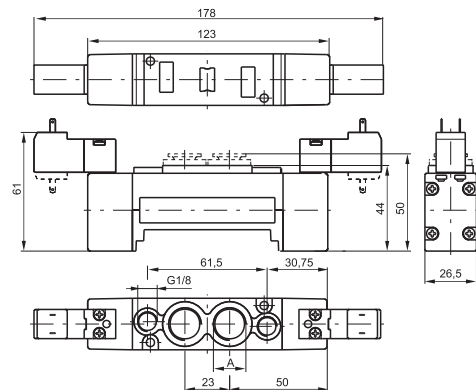
Weight gr. 220
Minimum working pressure 2 bar - For dimension "A" see ordering code



| Operational characteristic | Fluid | Max working pressure (bar) | Temperature °C | Flow rate at 6 bar with Δp=1 (NI/min) | Orifice size (mm) | Working ports size |
|----------------------------|-------|------------------------------------|----------------|---------------------------------------|-------------------|--------------------|
| | | Filtered and lubricated air or not | 10 bar | -5 - +50 | 1500 NI/min | mm 9 |

Miniature solenoid - Miniature solenoid

| | |
|-----------------------|---|
| Ordering code | |
| 263A.52.00.V.T | |
| CONNECTIONS | |
| A | 1 = G3/8" 5 = G1/4" 8 = quick fitting tube Ø10 |
| VERSION | |
| V | 35 = Sv. - Sv. 24 = Sv. ext. - Sv. ext. |
| COIL VOLTAGE | |
| | 01 = 12V DC 02 = 24V DC 05 = 24V AC 06 = 110V AC 07 = 230V AC 08 = 24V DC 1 Watt T 09 = 24V DC Earth Faston 11 = 12V DC Downward 12 = 24V DC Downward 15 = 24V AC Downward 16 = 110V AC Downward 17 = 230V AC Downward 18 = 24V DC 1 Watt Downward 19 = 24V DC Earth Faston Downward |



Weight gr. 250
Minimum working pressure 1,5 bar - For dimension "A" see ordering code



| Operational characteristic | Fluid | Max working pressure (bar) | Temperature °C | Flow rate at 6 bar with Δp=1 (NI/min) | Orifice size (mm) | Working ports size |
|----------------------------|-------|------------------------------------|----------------|---------------------------------------|-------------------|--------------------|
| | | Filtered and lubricated air or not | 10 bar | -5 - +50 | 1500 NI/min | mm 9 |

Pneumatic - Pneumatic

Ordering code

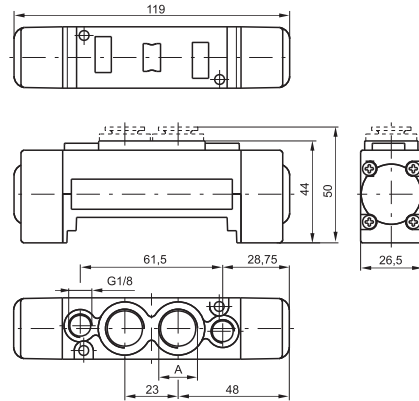
263A.53.F.18

CONNECTIONS

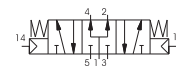
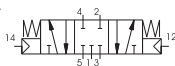
- A 1=G3/8"
- 5=G1/4"
- 8=quick fitting tube Ø10

FUNCTION

- F 31=Closed centres
- 32=Open centres
- 33=Pressured centres



Weight gr. 195 - Minimum working pressure 3 bar



For dimension "A" see ordering code

Operational characteristic

| Fluid | Max working pressure (bar) | Temperature °C | Flow rate at 6 bar with Δp=1 (NI/min) | Orifice size (mm) | Working ports size | Pilot ports size |
|------------------------------------|----------------------------|----------------|---------------------------------------|-------------------|-----------------------------|------------------|
| Filtered and lubricated air or not | 10 bar | -5 - +50 | 1350 NI/min | mm 9 | G1/8"-G1/4" tube Ø6-tube Ø8 | M5 |

Miniature solenoid - Miniature solenoid

Ordering code

263A.53.F.V.T

CONNECTIONS

- A 1=G3/8"
- 5=G1/4"
- 8=quick fitting tube Ø10

FUNCTION

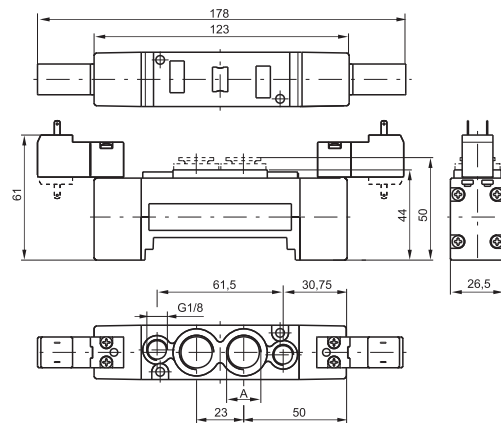
- F 31=Closed centres
- 32=Open centres
- 33=Pressured centres

VERSION

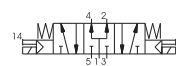
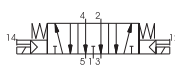
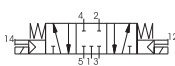
- V 24=Sv. ext. - Sv. ext.
- 35=Sv. - Sv.

COIL VOLTAGE

- 01=12V DC
- 02=24V DC
- 05=24V AC
- 06=110V AC
- 07=230V AC
- 08=24V DC 1 Watt
- T 09=24V DC Earth Faston
- 11=12V DC Downward
- 12=24V DC Downward
- 15=24V AC Downward
- 16=110V AC Downward
- 17=230V AC Downward
- 18=24V DC 1 Watt Downward
- 19=24V DC Earth Faston Downward



Weight gr. 270 - Minimum working pressure 3 bar



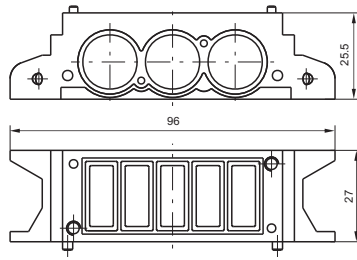
For dimension "A" see ordering code

Operational characteristic

| Fluid | Max working pressure (bar) | Temperature °C | Flow rate at 6 bar with Δp=1 (NI/min) | Orifice size (mm) | Working ports size |
|------------------------------------|----------------------------|----------------|---------------------------------------|-------------------|-----------------------------|
| Filtered and lubricated air or not | 10 bar | -5 - +50 | 1350 NI/min | mm 9 | G1/8"-G1/4" tube Ø6-tube Ø8 |



Modular base

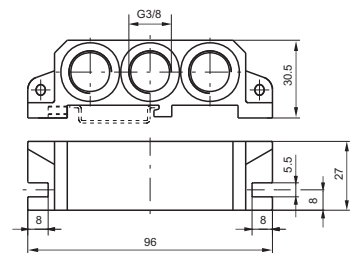


Ordering code

2630.01

Weight gr. 80

Right inlet base

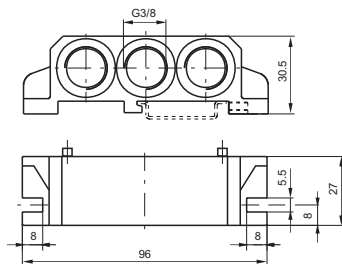


Ordering code

2630.02

Weight gr. 80

Left inlet base

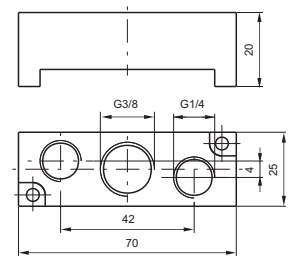


Ordering code

2630.03

Weight gr. 100

Intermediate air intake

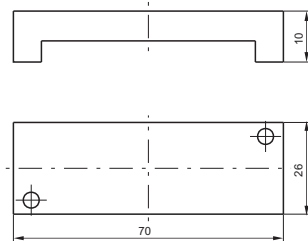


Ordering code

2630.10

Weight gr. 60
to be assembled of a valve

Closing plate



Ordering code

2630.00

Weight gr. 20

Diaphragm plug



Ordering code

2630.17

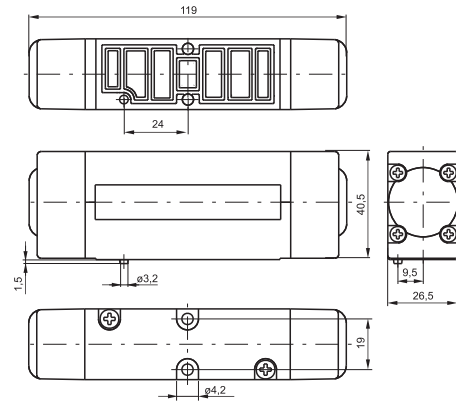
Weight gr. 5

2

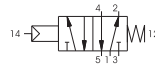
Pneumatic - Spring

Ordering code

2645.52.00.19



Weight gr. 235
Minimum piloting pressure 2 bar



Operational characteristic

| Fluid | Max working pressure (bar) | Temperature °C | Flow rate at 6 bar with $\Delta p=1$ (NI/min) | Orifice size (mm) |
|------------------------------------|----------------------------|----------------|---|-------------------|
| Filtered and lubricated air or not | 10 bar | -5 - +50 | 1100 NI/min | mm 7,5 |

Pneumatic - Differential / Differential external

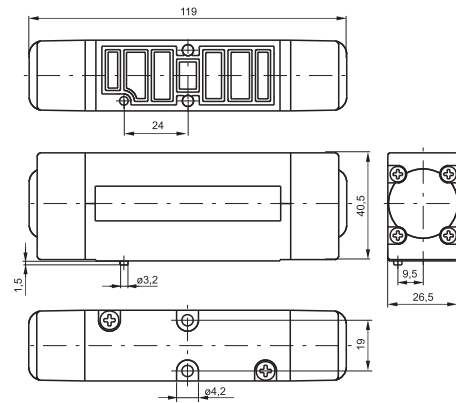
Ordering code

2645.52.00.V

VERSION

16=Pneumatic - Differential

17=Pneumatic - Differential external



Weight gr. 235
Minimum piloting pressure 2 bar



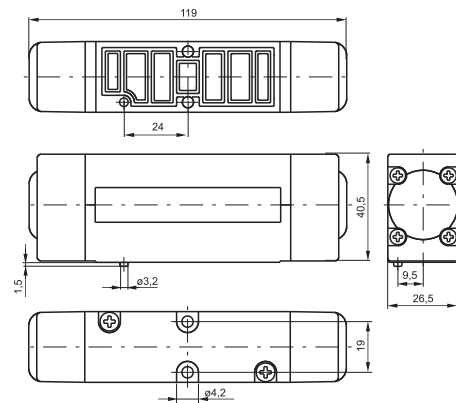
Operational characteristic

| Fluid | Max working pressure (bar) | Temperature °C | Flow rate at 6 bar with $\Delta p=1$ (NI/min) | Orifice size (mm) |
|------------------------------------|----------------------------|----------------|---|-------------------|
| Filtered and lubricated air or not | 10 bar | -5 - +50 | 1100 NI/min | mm 7,5 |

Pneumatic - Pneumatic

Ordering code

2645.52.00.18



Weight gr. 255
Minimum piloting pressure 1,5 bar

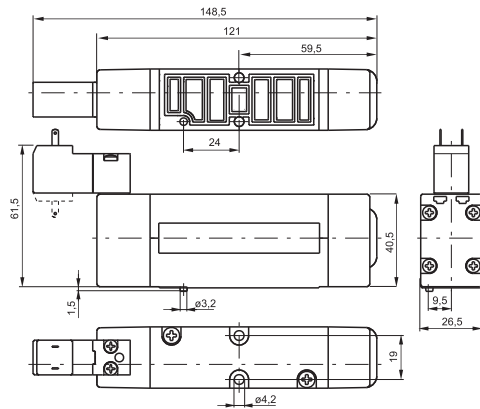


Operational characteristic

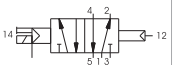
| Fluid | Max working pressure (bar) | Temperature °C | Flow rate at 6 bar with $\Delta p=1$ (NI/min) | Orifice size (mm) |
|------------------------------------|----------------------------|----------------|---|-------------------|
| Filtered and lubricated air or not | 10 bar | -5 - +50 | 1100 NI/min | mm 7,5 |

Miniature solenoid - Spring / Differential

| | |
|---------------------------|--|
| Ordering code | |
| 264E.52.00.V.T | |
| TYPE ELECTROPILOT EXHAUST | |
| E | 1=on base (only for self feeding valves) |
| | 5=on pilot (for all version) |
| VERSION | |
| | 39=Sv. - Spring |
| V | 29=Sv. ext. - Spring |
| | 36=Sv. - Diff./al |
| | 37=Sv. ext. - Diff./al ext. |
| | 26=Sv. ext. - Diff./al |
| | 27=Sv. ext. - Differ. ext. |
| COIL VOLTAGE | |
| | 01=12V DC |
| | 02=24V DC |
| | 05=24V AC |
| | 06=110V AC |
| | 07=230V AC |
| T | 08=24V DC 1 Watt |
| | 09=24V DC Earth Faston |
| | 11=12V DC Downward |
| | 12=24V DC Downward |
| | 15=24V AC Downward |
| | 16=110V AC Downward |
| | 17=230V AC Downward |
| | 18=24V DC 1 Watt Downward |
| | 19=24V DC Earth Faston Downward |



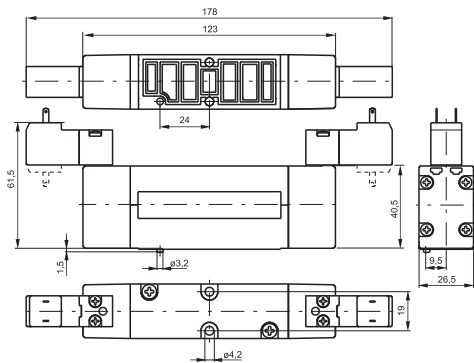
Miniature solenoid - Spring / Differenzial: Weight gr. 270 - Minimum working pressure 2 bar



| Operational characteristic | Fluid | Max working pressure (bar) | Temperature °C | Flow rate at 6 bar with Δp=1 (NI/min) | Orifice size (mm) |
|----------------------------|------------------------------------|----------------------------|----------------|---------------------------------------|-------------------|
| | Filtered and lubricated air or not | 10 bar | -5 - +50 | 1100 NI/min | mm 7,5 |

Miniature solenoid - Miniature solenoid

| | |
|---------------------------|--|
| Ordering code | |
| 264E.52.00.V.T | |
| TYPE ELECTROPILOT EXHAUST | |
| E | 1=on base (only for self feeding valves) |
| | 5=on pilot (for all version) |
| VERSION | |
| V | 35=Sv. - Sv. |
| | 24=Sv. ext. - Sv. ext. |
| COIL VOLTAGE | |
| | 01=12V DC |
| | 02=24V DC |
| | 05=24V AC |
| | 06=110V AC |
| | 07=230V AC |
| T | 08=24V DC 1 Watt |
| | 09=24V DC Earth Faston |
| | 11=12V DC Downward |
| | 12=24V DC Downward |
| | 15=24V AC Downward |
| | 16=110V AC Downward |
| | 17=230V AC Downward |
| | 18=24V DC 1 Watt Downward |
| | 19=24V DC Earth Faston Downward |



Miniature solenoid - Miniature solenoid: Weight gr. 305 - Minimum working pressure 1,5 bar



| Operational characteristic | Fluid | Max working pressure (bar) | Temperature °C | Flow rate at 6 bar with Δp=1 (NI/min) | Orifice size (mm) |
|----------------------------|------------------------------------|----------------------------|----------------|---------------------------------------|-------------------|
| | Filtered and lubricated air or not | 10 bar | -5 - +50 | 1100 NI/min | mm 7,5 |

Pneumatic - Pneumatic

Ordering code

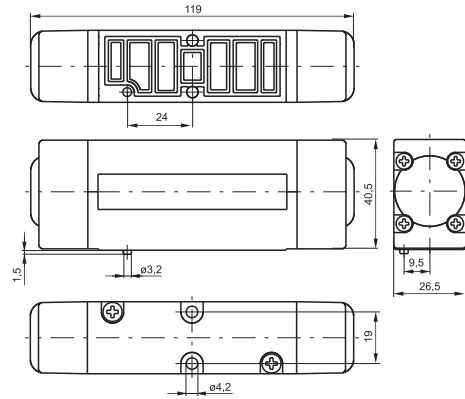
264E.53.F.18

TYPE ELECTROPILOT EXHAUST

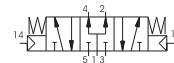
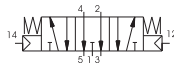
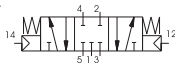
E 1=on base (only for self feeding valves)
5=on pilot (for all version)

FUNCTION

F 31=Closed centres
32=Open centres
33=Pressured centres



Weight gr. 245 - Minimum working pressure 3 bar



Operational characteristic

| Fluid | Max working pressure (bar) | Temperature °C | Flow rate at 6 bar with Δp=1 (NI/min) | Orifice size (mm) |
|------------------------------------|----------------------------|----------------|---------------------------------------|-------------------|
| Filtered and lubricated air or not | 10 bar | -5 - +50 | 1000 NI/min | mm 7,5 |

Miniature solenoid - Miniature solenoid

Ordering code

264E.53.F.V.T

TYPE ELECTROPILOT EXHAUST

E 1=on base (only for self feeding valves)
5=on pilot (for all version)

FUNCTION

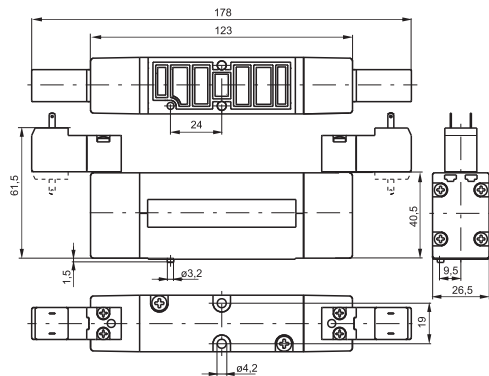
F 31=Closed centres
32=Open centres
33=Pressured centres

VERSION

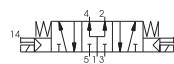
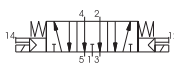
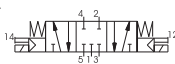
V 24=Sv. ext. - Sv. ext.
35=Sv. - Sv.

COIL VOLTAGE

T 01=12V DC
02=24V DC
05=24V AC
06=110V AC
07=230V AC
08=24V DC 1 Watt
09=24V DC Earth Faston
11=12V DC Downward
12=24V DC Downward
15=24V AC Downward
16=110V AC Downward
17=230V AC Downward
18=24V DC 1 Watt Downward
19=24V DC Earth Faston Downward



Weight gr. 315 - Minimum working pressure 3 bar



Operational characteristic

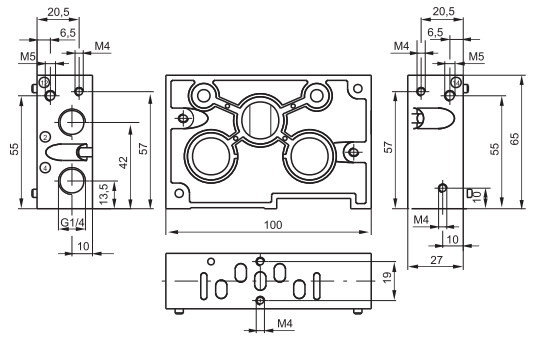
| Fluid | Max working pressure (bar) | Temperature °C | Flow rate at 6 bar with Δp=1 (NI/min) | Orifice size (mm) |
|------------------------------------|----------------------------|----------------|---------------------------------------|-------------------|
| Filtered and lubricated air or not | 10 bar | -5 - +50 | 1000 NI/min | mm 5 |

Modular base

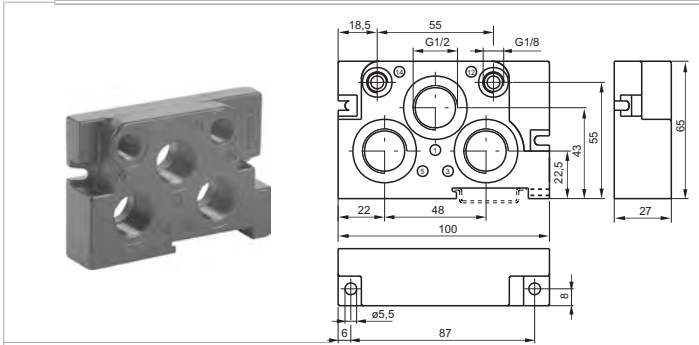
| |
|--------------------------------|
| Ordering code |
| 2640.V |
| VERSION |
| V 01 = standard base |
| 11 = for single separate inlet |



Weight gr. 220



Right inlet base

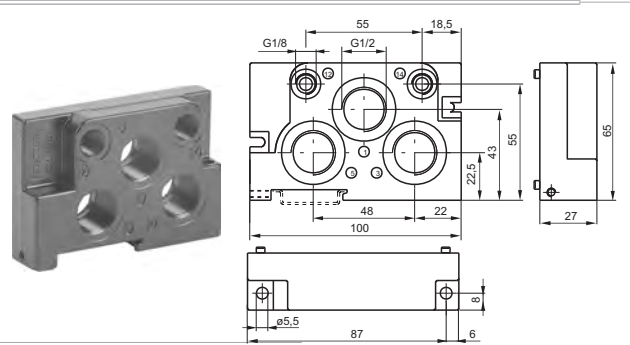


Ordering code

2640.02

Weight gr. 200

Left inlet base



Ordering code

2640.03

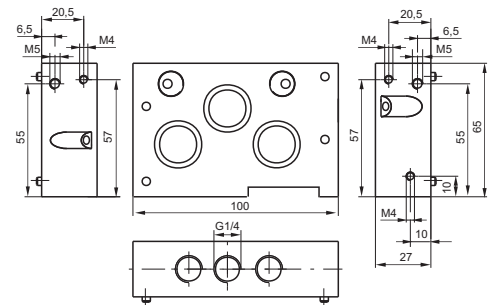
Weight gr. 200

Intermediate air intake

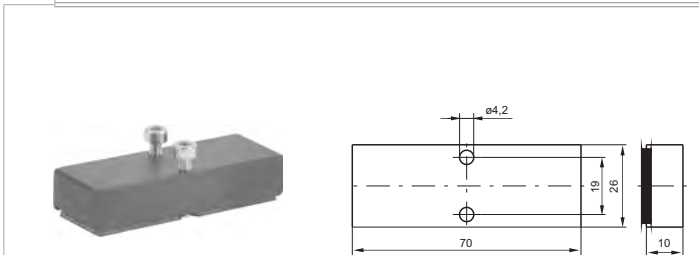
| |
|----------------|
| Ordering code |
| 2640.10 |



Weight gr. 380



Closing plate



Ordering code

2640.00

Weight gr. 50

Diaphragm plug



Ordering code

2640.17

Weight gr. 10

2