

PINCH VALVE QV



Pinch valve with full passage for solid mattered waste water, mud and similar media.

TECHNICAL FEATURES

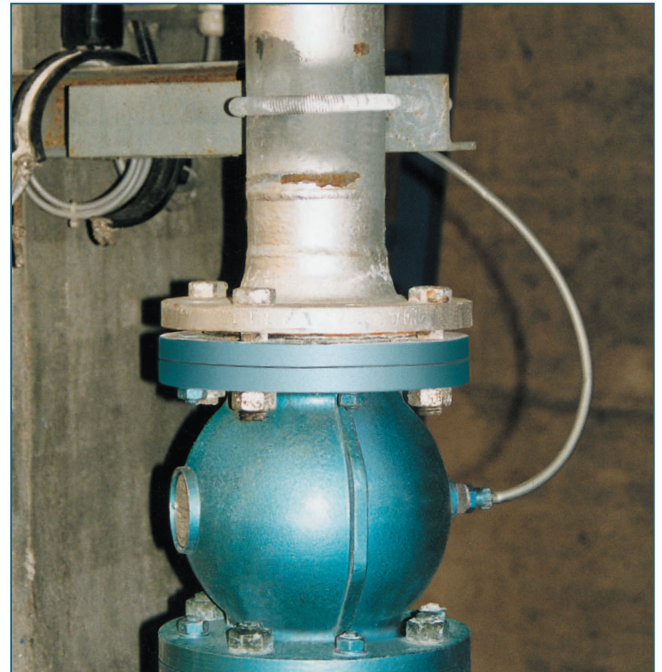
Nominal diameter:	DN 40 - DN 200
Face-to-face:	EBRO works standard
Flange accommodation:	EN 1092 (PN 10)
Flange Surface Design:	EN 1092 Form C/E
Temperature range:	-20°C to +140°C (depending on pressure and medium)
Operating pressure:	max. 5 bar
Body:	Aluminiumalloy
Seat:	Natural rubber EPDM (Ethylene propylene caoutchouc) FPM (Fluorocarbon caoutchouc)
Flanges:	Aluminiumalloy - Rilsan coated - Rubber coated

FEATURES

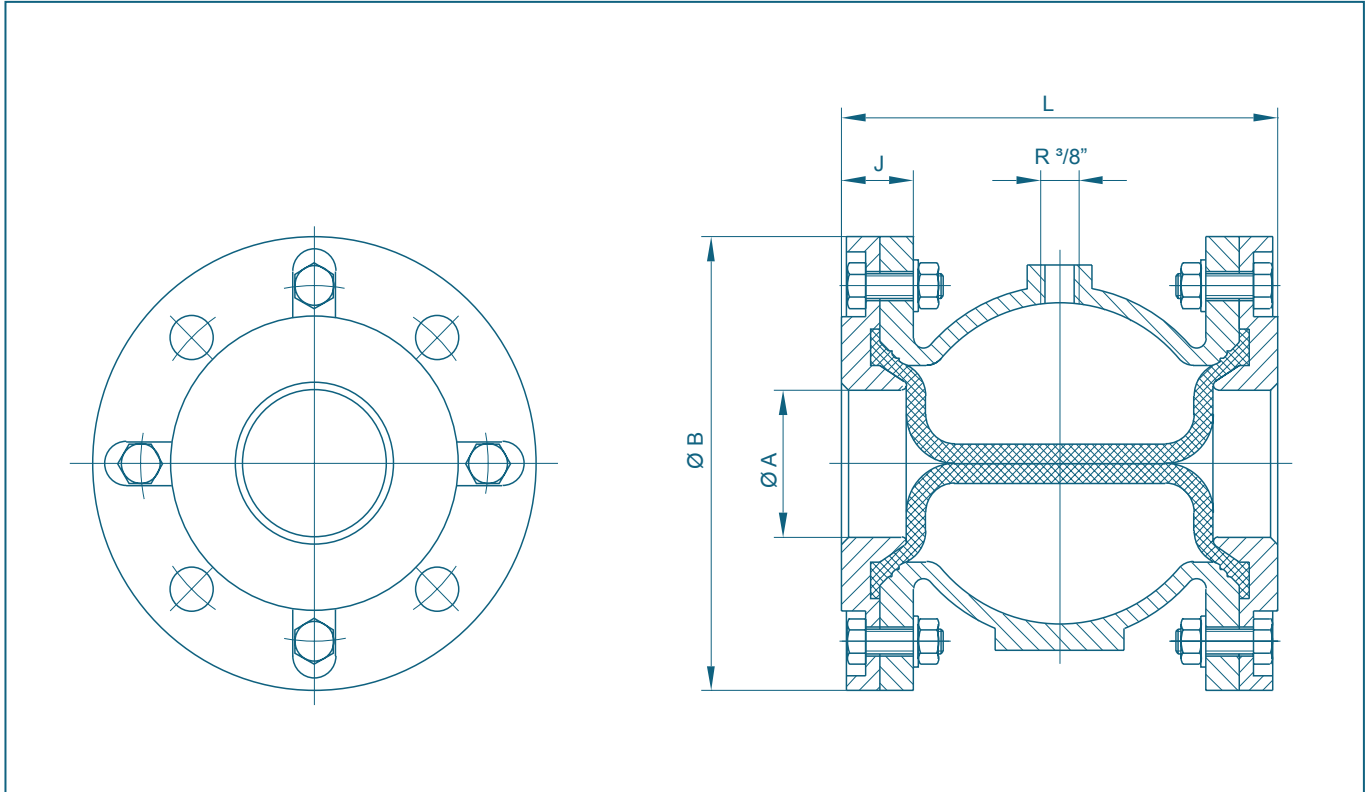
- Full passage, special suitability for mud, powder, granulates
- Mounting of a solenoid valve enables electro-pneumatic operation
- Can be installed in any desired position

GENERAL APPLICATIONS

- Pneumatic conveying systems
- Solid mattered media



PINCH VALVE QV



DN [mm]	Size [in]	Dimensions [mm]				Weight [kg]
		A	B	J	L	
40	1½	35	150	30	156	7,5
50	2	45	165	30	167	9
65	2½	60	185	30	182	11,5
80	3	75	200	34	226	16
100	4	95	220	39	282	22
125	5	120	250	43	350	35
150	6	145	285	50	420	48
200	8	195	340	57	559	94

Subject to change without notice