



Vacuum generation | Oil-free vacuum pumps

Rotary vane vacuum pumps – oil-free

Rotary vane vacuum pumps – oil-free

Handling in dry areas



Product notes

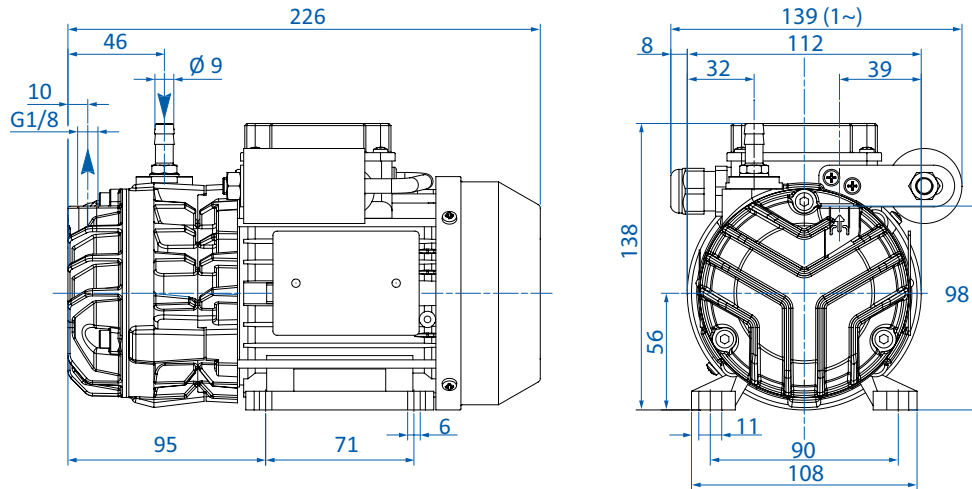
- > High reliability and low maintenance costs owing to simple design
- > Universal application: Continuous operation at different vacuum levels
- > Compact design and low weight
- > Protection class IP55
- > Available in single-phase and three-phase designs (Index -1 or -3)
- > Included in scope of delivery:
 - Silencer on pressure side
 - DT.8: Safety filter on suction side
- > Delivery without electric cables

Technical data

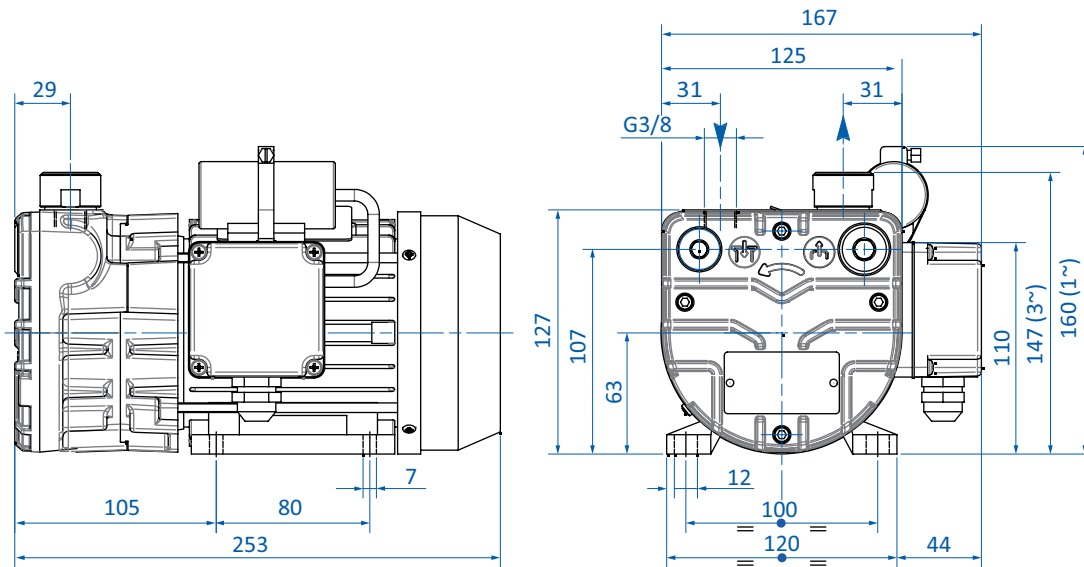
Item no.	DT.5C-1	DT.5C-3	DT.8C-1	DT.8C-3
Suction power at 50 Hz [m ³ /h]	5	5	8	8
Suction power at 60 Hz [m ³ /h]	6	6	9	9
Final pressure abs. [mbar (psi)]	120 (1.7)	120 (1.7)	120 (1.7)	120 (1.7)
Power supply at 50 (60) Hz [V]	220 - 240	Delta: 175-260 (200-300) Star: 300-450 (346-520)	220 - 240	Delta: 175-260 (200-300) Star: 300-450 (346-520)
Current consumption at 50 (60) Hz [A]	1.2 (1.2)	Delta: 0.83 (0.82) Star: 0.97 (0.92)	2.5 (2.5)	Delta: 1.6 (1.5) Star: 0.9 (0.9)
Rated power at 50 Hz [kW]	0.12	0.12	0.25	0.25
Rated power at 60 Hz [kW]	0.15	0.15	0.3	0.3
Noise level at 50 Hz [dB(A)]	59	59	59	59
Noise level at 60 Hz [dB(A)]	61	61	61	61
Operating temperature at 50 Hz [°C (°F)]	65 - 70 (149 - 158)	65 - 70 (149 - 158)	70 - 75 (158 - 167)	70 - 75 (158 - 167)
Operating temperature at 60 Hz [°C (°F)]	70 - 75 (158 - 167)	70 - 75 (158 - 167)	80 - 85 (176 - 185)	80 - 85 (176 - 185)
Weight [kg]	5.4	5.4	8.5	8.5
Suitable accessories	Spare part kit: KIT-DT.5C* Vacuum regulator: 73.002 Pre-filter: FC 10F Pre-filter: 71.032	Spare part kit: KIT-DT.5C* Vacuum regulator: 73.002 Pre-filter: FC 10F Pre-filter: 71.032	Spare part kit: KIT-DT.8C** Vacuum regulator: 73.002 Pre-filter: FC 10F Pre-filter: 71.032	Spare part kit: KIT-DT.8C** Vacuum regulator: 73.002 Pre-filter: FC 10F Pre-filter: 71.032



Dimensions



DT.5C-1 | DT.5C-3



DT.8C-1 | DT.8C-3

* = 3 vanes, rotor ** = 4 vanes, rotor

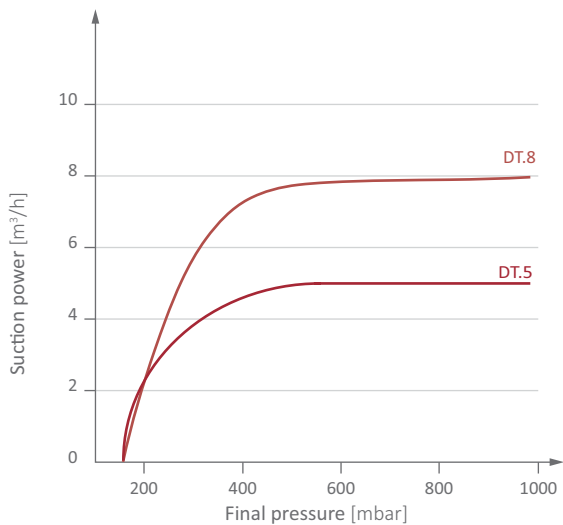


Vacuum generation | Oil-free vacuum pumps

Rotary vane vacuum pumps – oil-free

Diagrams

> Suction power against vacuum level at 50 Hz



> Suction power against vacuum level at 60 Hz

