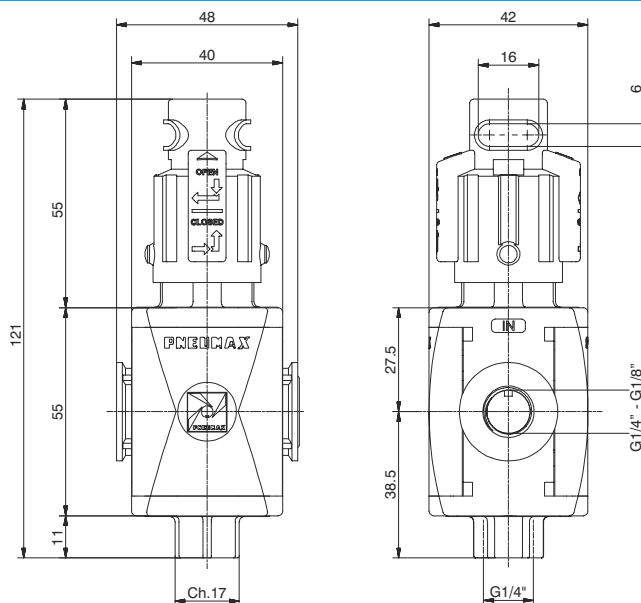


Shut-off valve (VL)



Example: T171BVL : size 1, Shut-off valve with Technopolymer threads, G1/4" connections

Operational characteristics

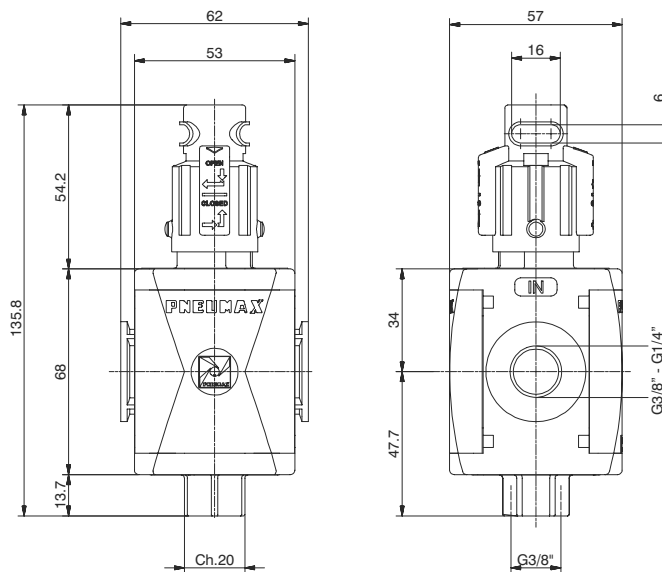
- Manual operated 3 ways poppet valve.
- Double handle action for valve opening: pushing and rotating (clockwise).
- The valve can be closed and the down stream circuit depressurized by rotating anticlockwise the knob.
- Knob lockable with three padlocks.

Technical characteristics

Connections	G 1/8" - G 1/4"	Ordering code
Max. inlet pressure	13 bar	
Working temperature	-5°C +50°C	● V171C VL
Weight with Technopolymer threads	gr. 100	
Weight with threaded inserts	gr. 110	● VERSION
Assembly positions	Indifferent	N = Metal inserts
Handle opening and closing angle	90°	T = Technopolymer thread
Max. fitting torque (with Technopolymer threads)	G1/4" = 9 Nm	● CONNECTIONS
Max. fitting torque (with threaded inserts)	G1/8" = 15 Nm G1/4" = 20 Nm	A = G1/8" (only for "N" version)
Nominal flow at 6 bar with Δp=1	1400 NI/min.	B = G1/4"
Exhaust nominal flowrate at 6 bar with Δp=1	550 NI/min.	C = G1/4" NPT (only for "N" version)

3

Shut-off valve (VL)



Example: T172BVL : size 2, Shut-off valve with Technopolymer threads, G3/8" connections

Operational characteristics

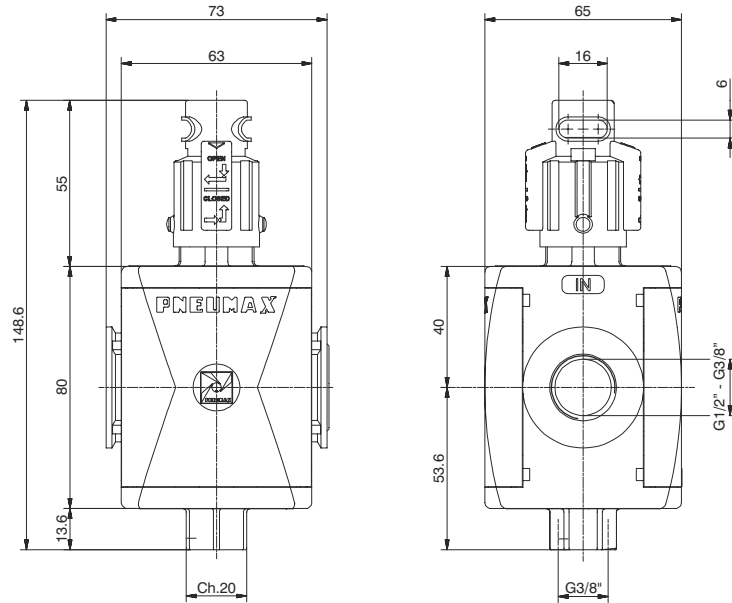
- Manual operated 3 ways poppet valve.
- Double handle action for valve opening: pushing and rotating (clockwise).
- The valve can be closed and the down stream circuit depressurized by rotating anticlockwise the knob.
- Knob lockable with three padlocks.

Technical characteristics

Connections	G 1/4" - G 3/8"	Ordering code
Max. inlet pressure	13 bar	
Working temperature	-5°C +50°C	V172CVL
Weight with Technopolymer threads	gr. 180	VERSION
Weight with threaded inserts	gr. 190	N = Metal inserts
Assembly positions	Indifferent	T = Technopolymer thread
Handle opening and closing angle	90°	CONNECTIONS
Max. fitting torque (with Technopolymer threads)	G3/8" = 16 Nm	A = G1/4" (only for "N" version)
Max. fitting torque (with threaded inserts)	G1/4" = 20 Nm G3/8" = 25 Nm	B = G3/8"
Nominal flow at 6 bar with Δp=1	2200 NI/min.	C = G3/8" NPT (only for "N" version)
Exhaust nominal flowrate at 6 bar with Δp=1	1500 NI/min.	

3

Shut-off valve (VL)



Example: T173BVL : size 3, Shut-off valve with Technopolymer threads, G1/2" connections

Operational characteristics

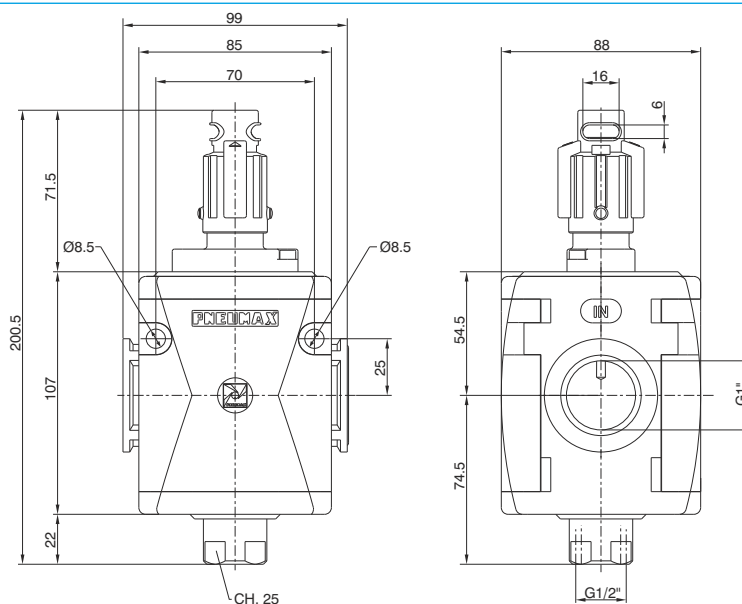
- Manual operated 3 ways poppet valve.
- Double handle action for valve opening: pushing and rotating (clockwise).
- The valve can be closed and the down stream circuit depressurized by rotating anticlockwise the knob.
- Knob lockable with three padlocks.

Technical characteristics

Connections	G 3/8" - G 1/2"	Ordering code
Max. inlet pressure	13 bar	
Working temperature	-5°C +50°C	173C VL VERSION N = Metal inserts T = Technopolymer thread CONNECTIONS A = G3/8" (only for "N" version) B = G1/2" C = G1/2" NPT (only for "N" version)
Weight with Technopolymer threads	gr. 230	
Weight with threaded inserts	gr. 250	
Assembly positions	Indifferent	
Handle opening and closing angle	90°	
Max. fitting torque (with Technopolymer threads)	G1/2" = 22 Nm	
Max. fitting torque (with threaded inserts)	G3/8" = 25 Nm G1/2" = 30 Nm	
Nominal flow at 6 bar with Δp=1	3600 NI/min.	
Exhaust nominal flowrate at 6 bar with Δp=1	1500 NI/min.	

3

Shut-off valve (VL)



Example: N174BVL : size 4, Shut-off valve, G1" connections

Operational characteristics

- Manual operated 3 ways poppet valve.
- Double handle action for valve opening: pushing and rotating (clockwise).
- The valve can be closed and the down stream circuit depressurized by rotating anticlockwise the knob.
- Knob lockable with three padlocks.

Technical characteristics

Technical characteristics		Ordering code
Connections	G1"	N174BVL
Max. inlet pressure	10 bar	
Working temperature	-5°C +50°C	
Weight	1100 (gr)	
Assembly positions	Indifferent	
Handle opening and closing angle	90°	
Nominal flow at 6 bar with $\Delta p=1$ (from 1 to 2)	15000 dm ³ /min. (ANR)	
Exhaust nominal flowrate at 6 bar with $\Delta p=1$ (from 2 to 3)	3600 dm ³ /min. (ANR)	
Nominal flow with free exhaust at 6 bar (from 2 to 3)	5000 dm ³ /min. (ANR)	
Wall fixing screw	M8	