

Electronic Vacuum/Pressure Switches



Vacuum and Pressure Switches VS-V/P-D

Measuring range from -1 bar to 10 bar



Suitable for Industry Specific Applications



Vacuum and pressure switches VS-V/P-D

Applications

- Electronic vacuum and pressure switch for system monitoring of vacuum and pressure systems
- Optimization of cycle times and regulation circuits to increase efficiency of systems
- For use in all areas of automated handling

Design

- Electronic vacuum and pressure switch in a robust polycarbonate housing
- Connection with G1/8" male thread; additional M5 female thread
- 3-digit display and foil keypad on the front for adjustment of the settings
- Integrated LED for indication of the switching state
- Supply voltage via 4-pin M8 screw connector
- Compact construction and low weight

Our Highlights...

- Electronic vacuum and pressure switch with digital display
- Switching point and hysteresis programmable with the foil keypad
- Two separately programmable digital outputs
- Special functions programmable

Your Benefits...

- > Precise switching with two separate switch outputs
- > Easily adapted to meet customer requirements
- > Upper and lower limit values can be displayed
- > Further adaptation possible

Designation Code Vacuum and Pressure Switches VS-V/P-D

Abbreviated designation	Measuring range in bar	Display	Switching function	Product addition
Example VS-V-D-NPN:				
VS	V	D	NPN	
VS	V -1 to 0 P10 0 to 10	D digital display	NPN switches to minus PNP switches to plus	C with PIN-code protection

Ordering Data Vacuum and Pressure Switches VS-V/P-D

Vacuum and pressure switch VS-V/P-D is delivered as a ready to connect product (without connection cable).

Available accessories: connection cable, mounting set, connection hose

Schmalz - The Company
Vacuum Knowledge
Vacuum Suction Cups
Special Grippers
Vacuum Gripping Systems
Mounting Elements
Vacuum Generators
Valve Technology
Switches and Monitoring
Filters and Connections
Services
Contact
Index of Products

Electronic Vacuum/Pressure Switches



Vacuum and Pressure Switches VS-V/P-D

Measuring range from -1 bar to 10 bar

Vacuum and Pressure Switches VS-V/P-D

Type	Part Number
VS-V-D-PNP M8-4	10.06.02.00049
VS-V-D-NPN M8-4	10.06.02.00055
VS-V-D-PNP M8-4 C	10.06.02.00270
VS-P10-D-PNP M8-4	10.06.02.00056



Ordering Data Accessories Vacuum and Pressure Switches VS-V/P-D

Type	Part Number
Connection cable material PUR, 5 m, straight, with union nut	10.06.02.00031
Connection cable material PUR, 5 m, 90°, with union nut	10.06.02.00032
Mounting set* for VS-V-D-PNP	10.06.02.00061
Connection hose for reference air (for IP65), ordering unit: metres	10.07.09.00063

*Set consists of mounting bracket and G1/8" nut

Note: See "connector and adapter" in this section for more connection possibilities.



Technical Data Vacuum and Pressure Switches VS-V/P-D

Type	VS-V-D-PNP M8-4	VS-V-D-NPN M8-4	VS-V-D-PNP M8-4 C	VS-P10-D-PNP M8-4
Measured medium	Non-aggressive gases; dry, oil-free air	Non-aggressive gases; dry, oil-free air	Non-aggressive gases; dry, oil-free air	Non-aggressive gases; dry, oil-free air
Measuring range [bar]	-1.0 ... 0.0	-1.0 ... 0.0	-1.0 ... 0.0	0.0 ... 10.0
Max. overpressure resistance [bar]	5	5	5	16
Repeatability	± 1% of full-scale value	± 1% of full-scale value	± 1% of full-scale value	± 1% of full-scale value
Hysteresis	Adjustable: 0 to 100% of set value or comparator mode	Adjustable: 0 to 100% of set value or comparator mode	Adjustable: 0 to 100% of set value or comparator mode	Adjustable: 0 to 100% of set value or comparator mode
Output signal	2 digital	2 digital	2 digital	2 digital
Switching capacity [mA]	180	180	180	180
Indication	2xLED	2xLED	2xLED	2xLED
Display resolution	0 bar, 5 mmHg, 0.2 inHg, 1 kPa	0 bar, 5 mmHg, 0.2 inHg, 1 kPa	0 bar, 5 mmHg, 0.2 inHg, 1 kPa	0 bar, 1 psi, 0.05 kgf/cm ² , 0.01 Mpa
Display units	bar, mmHg, inHg, kPa	bar, mmHg, inHg, kPa	bar, mmHg, inHg, kPa	bar, psi, kgf/cm ² , Mpa
Measured-value display	3-digit 7-segment LED	3-digit 7-segment LED	3-digit 7-segment LED	3-digit 7-segment LED
Electrical connection	Male connect M8, 4 pole	Male connect M8, 4 pole	Male connect M8, 4 pole	Male connect M8, 4 pole
Connection	G1/8"-M + M5-F	G1/8"-M + M5-F	G1/8"-M + M5-F	G1/8"-M + M5-F
Voltage	10.8-30V DC	10.8-30V DC	10.8-30V DC	10.8-30V DC
Current consumption [mA]	30	30	30	55
Protection IP	IP 40/65 (with hose)	IP 40/65 (with hose)	IP 40/65 (with hose)	IP 40/65 (with hose)
Temperature influence	± 3% of full-scale value in the range 0 to 50°C	± 3% of full-scale value in the range 0 to 50°C	± 3% of full-scale value in the range 0 to 50°C	± 3% of full-scale value in the range 0 to 50°C
Operating temperature [°C]	0 ... 50	0 ... 50	0 ... 50	0 ... 50
Weight [g]	25	25	25	25

Schmalz - The Company
Vacuum Knowledge
Vacuum Suction Cups
Special Grippers
Vacuum Gripping Systems
Mounting Elements
Vacuum Generators
Valve Technology
Switches and Monitoring
Filters and Connections
Services
Contact
Index of Products

Electronic Vacuum/Pressure Switches

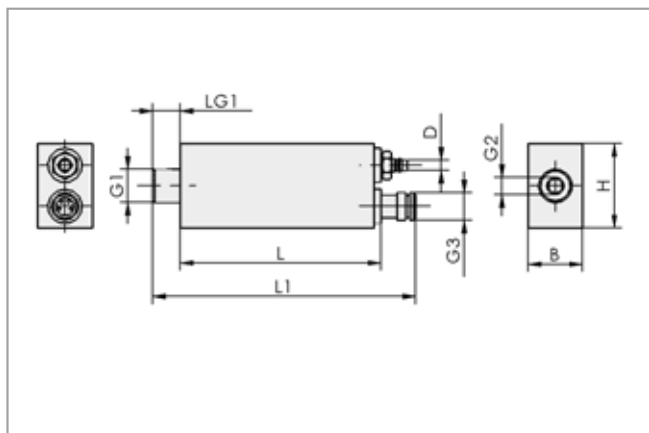


Vacuum and Pressure Switches VS-V/P-D

Measuring range from -1 bar to 10 bar



Design Data Vacuum and Pressure Switches VS-V/P-D

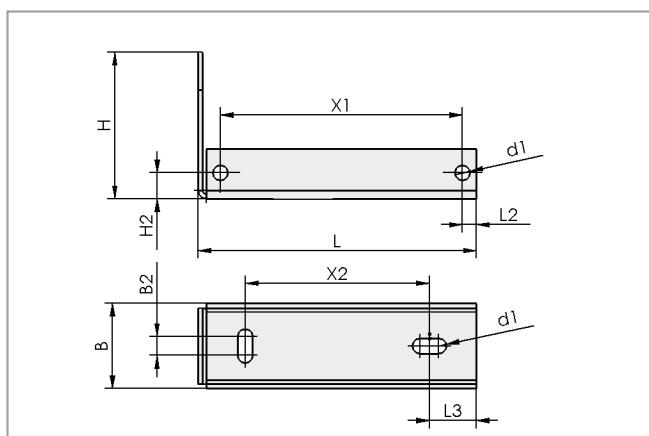


VS-V/P-D

Type	Dimensions in mm								
	B	D	G1	G2	G3	H	L	L1	LG1
VS-V/P-D	16	-	G1/8"-M	M5-F	M8x1-M	24.7	58.5	75.5	8



Design Data Accessories Vacuum and Pressure Switches VS-V/P-D



BEF-WIN

Type	Dimensions in mm									
	B	B2	d1	H	H2	L	L2	L3	X1	X2
BEF-WIN 21x34.5x59 1.5	21	4	3.2	34.5	6	59.0	3	10	52	39

- Schmalz - The Company
- Vacuum Knowledge
- Vacuum Suction Cups
- Special Grippers
- Vacuum Gripping Systems
- Mounting Elements
- Vacuum Generators
- Valve Technology
- Switches and Monitoring
- Filters and Connections
- Services
- Contact
- Index of Products